



PROJECT		REF		REV	ITEM CODE	
LOCATION		DATE			PAGE	

SANITARY WARE SPECIFICATION SHEET

Item Descriptions	GROHE (Germany) "Grandera" Volume control trim with concealed valve
Dimensions	L70 x W92 x H70 mm
Model	19944000 (Volume control trim) 29032000 (Concealed valve)
Finish	Chrome Plated
Country of origin	Germany
Manufacturer	GROHE Limited
Supplier	Acme Sanitary Ware Co. Ltd Mr. Eric Wong/ Mr. Don Yuen
Contact Tel/Fax	(852) 2388-7171 / (852) 2710-8012
E-mail	acme@acmesanitary.com.hk
Website	www.acmesanitary.com.hk

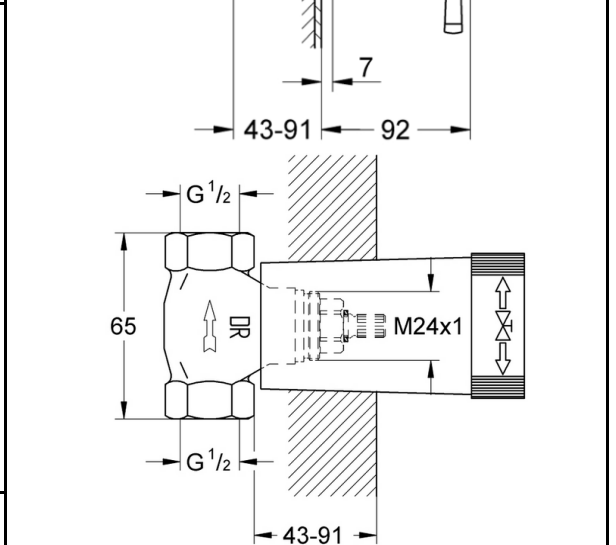
Illustration/ Drawing

"Grandera" Volume Control Trim

- set for final installation for
- 35 028 000
- 29 032 000 (preassembled headpart 1/2")
- **GROHE StarLight** chrome finish
- installation depth adjustable
- 43 - 91 mm

Concealed valve

- pre-assembled headpart 1/2"
- threaded union 1/2"
- installation depth adjustable
- 43 - 91 mm
- DR-brass



- Colour options:**
- 000 | StarLight Chrome
 - DC0 | SuperSteel
 - DA0 | Warm Sunset
 - A00 | Hard Graphite
 - AL0 | Brushed Hard Graphite
 - IG0 | Chrome/Gold
 - GL0 | Cool Sunrise
 - GN0 | Brushed Cool Sunrise
 - DL0 | Brushed Warm Sunset
 - BE0 | Polished Nickel
 - EN0 | Brushed Nickel

Note:
* All information of the above is for the reference only. No prior notice is made if any changes.



PROJECT		REF		REV	ITEM CODE	
LOCATION		DATE			PAGE	

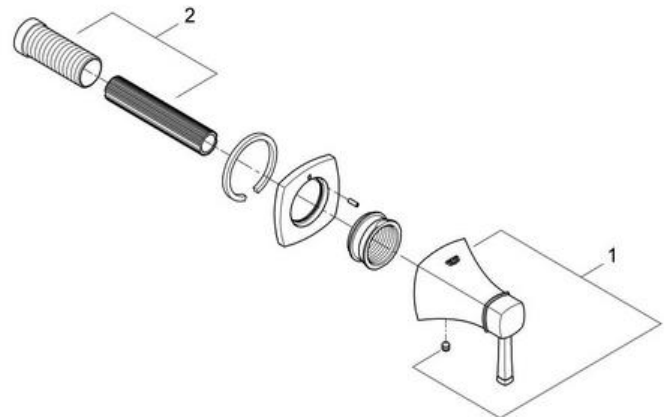
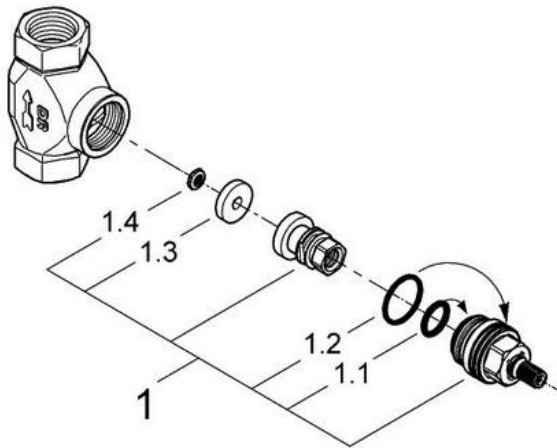
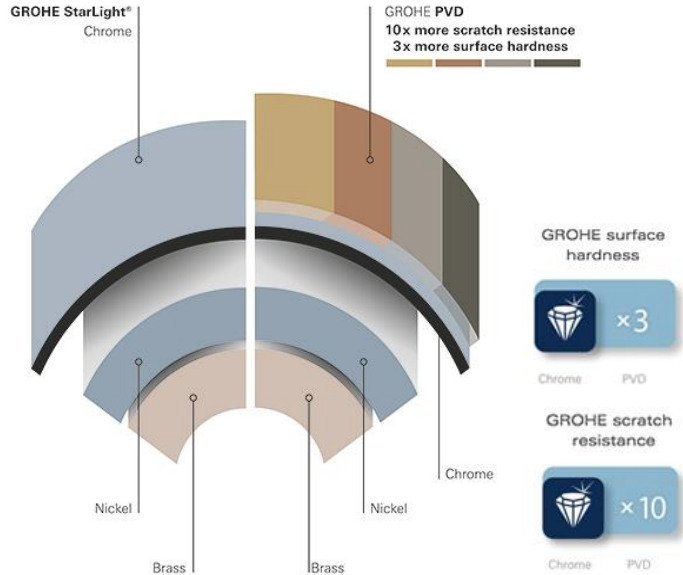
SANITARY WARE SPECIFICATION SHEET

GROHE GRANDERA

TOMORROW'S GRAND STYLE

The GROHE Grandera collection is both a homage to an age of grandeur long past and an affirmation of modern sensibility, combining the highest standards of quality and craftsmanship with a love of detail and comfort.

Stylistically, the Grandera collection can be combined with a wide range of bathroom furnishings, with the added flexibility of two colors – chrome and chrome / gold.



Pos.-nr.	Prod. description	Order-nr.
1	Headpart 1/2"	07146000
1.1	Sealing washer Ø 6 x Ø 2	0128300M
1.2	O-ring Ø 18.2 x Ø 1.7	0392400M
1.3	Seal	0529100M

Pos.-nr.	Prod. description	Order-nr.
1	Grandera handle	48215000
2	Extension for spindle	45988000

* Optional accessories

* Optional accessories

Note:

* All information of the above is for the reference only. No prior notice is made if any changes.